

LT-IL12010

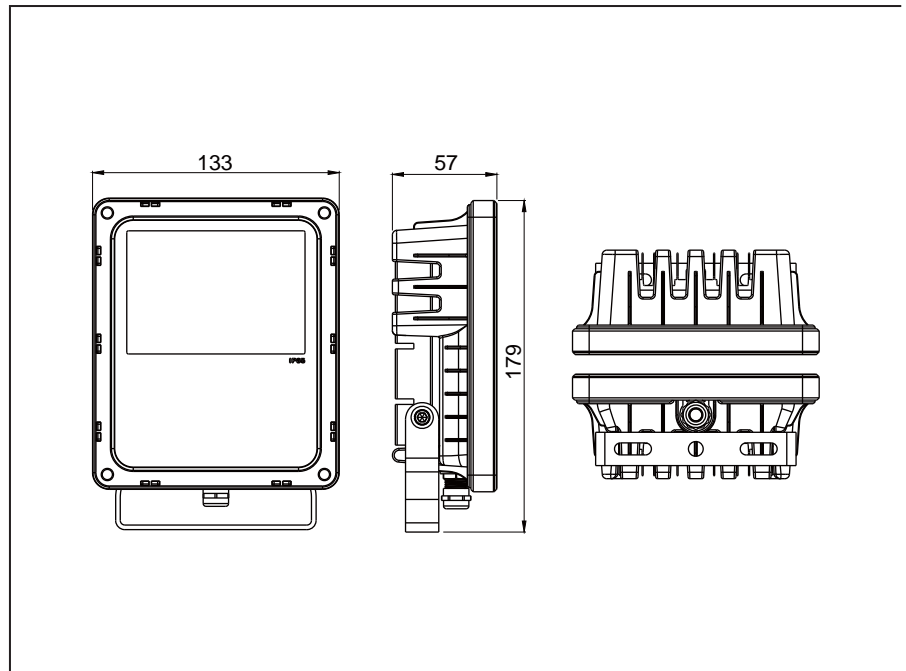
DATASHEET

10W



Product group	INDUSTRIAL LIGHTING
Product type	LED FLOOD LIGHT
Revision date	11/2014

POWER	10,0 W
Vac	100-240Vac - 50-60Hz
NETZT. DRIVER ALIM.	St. driver - ingeb. / Alim. st. - intégré St Netzt. - eingeb. / St. driver - build-in
COS φ POWER FACTOR	> 0,95 C
BEAM ANGLE	120°
MOUNTING MONTAGE	Montagebeugel / Support Montageb. / Mount. bracket
MATERIAAL MATERIAL	Aluminium
COLOR	Antraciet / Anthracite
GR	800 gr
IP	IP65
MIN - MAX AMBIENT T°	-20 to +40°C MAX.
AMOUNT OF LEDs	10 PCS
TYPE LED	3030 SMD
LIGHT COLOR	WW / NW / CW
APPROVED	CE RoHS
SIZE	133 x 179 x 57 mm



NR ART. NR ▼	LIGHT COLOR	C R I COLOR REND. INDEX	LUMEN
LT-IL12010WW	2800-3200K	85	850 Lm
LT-IL12010NW	4000-4500K	80	925 Lm
LT-IL12010CW	5500-6500K	75	1000 Lm